

DEUTERIUM ARC LAMP - P705 / P711

UV Light Source for Spectroscopy – 3 volt

Instrument

Aktec / Beckman / Biorad / Joyce Loebel / Kontron
LDC / Varian / Waters / Saitron / Spectra Physics / Turner

Electrical

Filament/Heater Voltage	Start	3.0 VDC
	Operating	1.5 - 2.0 VDC
Filament/Heater Current		4.5A Max
Discharge/Arc Voltage	Strike	@25° > 350 VDC
	Operating	60 - 90 VDC
Discharge/Arc Current		10 - 300mA
Terminals		Spade Terminal

Optical

Window	UV Transmitting Borosilicate
Aperture type	1mm Circular
Wavelength range	185nm - 400nm
Noise	< 1 x 10 ⁻⁴ Absorption units
Drift	< 3 x 10 ⁻³ Absorption units

Operational life

When radiant energy reaches 50% of the initial energy. Typical life 2000 hours
Deuterium lamps are guaranteed for a period of one year from date of delivery or 2000 hours usage, which ever comes first.

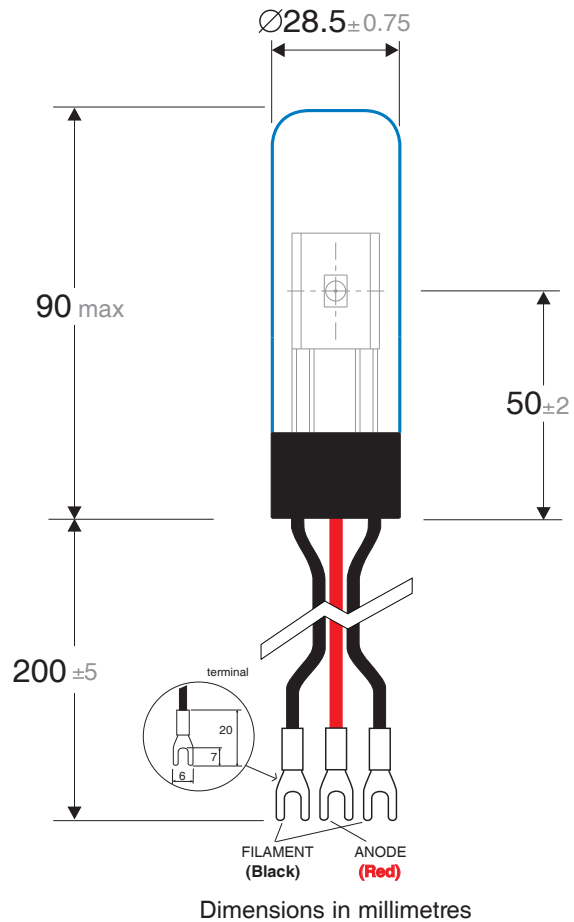
Warranty

Free of charge replacement lamp will be provided where Photron is satisfied the following conditions have been adhered to.

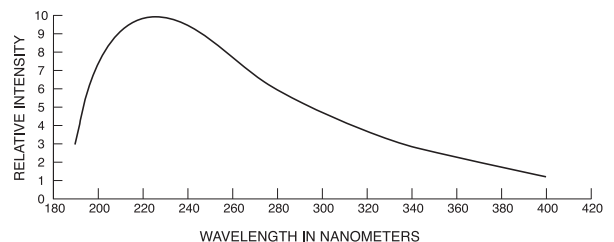
- Lamp is returned to supplier freight paid.
- Lamp has been operated within our recommended specifications.
- Lamp has not failed due to accidental, misuse or transit damage.
- If a replacement lamp is supplied the validity of guarantee shall commence from delivery date of original lamp.

Precautions for use

- Do not subject the lamp to mechanical shock.
- Ensure glass envelope is free from foreign material. Lamp may be wiped using alcohol liquid.
- Caution! UV transmitting window is very thin. Handle with care.
- Care must be taken not to contact lamp with bare hand, temperature can reach over 200°C during operation.
- UV Radiation is harmful to the eyes. Do not observe light output directly.
- Deuterium lamps operate at high voltages. Extreme caution is required to prevent electrical shock.



Spectrum of Deuterium Emissions



PHOTRON PTY. LTD.
LIGHTEN YOUR HORIZON

Unit 5 - 3 Vesper Drive, Narre Warren, Victoria, Australia 3805

Tel: 6-13-9704-9933 • Fax: 6-13-9704-6289

sales@photron.com.au • service@photron.com.au

www.photronlamp.com

Quality Certified for ISO9001:2000